

# Electronic housing - ME 22.5 TBUS1.5/5-ST-3.81 KMGY - 2713722

Please be informed that the data shown in this PDF Document is generated from our Online Catalog. Please find the complete data in the user's documentation. Our General Terms of Use for Downloads are valid (<http://download.phoenixcontact.com>)



Plug component, Nominal current: 8 A



## Key commercial data

Packing unit	1
Minimum order quantity	50
Catalog page	Page 609 (CC-2011)
GTIN	 4 017918 914516
Custom tariff number	85366990
Country of origin	GERMANY

## Technical data

### Technical data

Nominal current $I_N$	8 A
Nominal voltage $U_N$	125 V
Maximum load current	8 A
Inflammability class according to UL 94	V0
Nominal voltage, UL/CUL Use Group B	150 V
Nominal current, UL/CUL Use Group B	8 A
Nominal voltage, UL/CUL Use Group D	150 V
Nominal current, UL/CUL Use Group D	8 A

## Classifications

### ETIM

ETIM 2.0	EC001031
ETIM 3.0	EC001031
ETIM 4.0	EC002638
ETIM 5.0	EC002638

# Electronic housing - ME 22.5 TBUS1.5/5-ST-3.81 KMGY - 2713722

## Classifications

### UNSPSC

UNSPSC 11	31261501
UNSPSC 12.01	31261501
UNSPSC 13.2	31261501
UNSPSC 6.01	31261501
UNSPSC 7.0901	31261501

### eCl@ss

eCl@ss 4.0	27180401
eCl@ss 4.1	27180401
eCl@ss 5.0	27180506
eCl@ss 5.1	27180506
eCl@ss 6.0	27180802
eCl@ss 7.0	27182702

## Approvals

### Approvals

#### Approvals


UL Recognized / cUL Recognized / cULus Recognized

#### Ex Approvals

#### Approvals submitted

### Approval details

UL Recognized 
---

cUL Recognized 		
	B	D
Nominal current I <sub>N</sub>	8 A	8 A
Nominal voltage U <sub>N</sub>	150 V	150 V

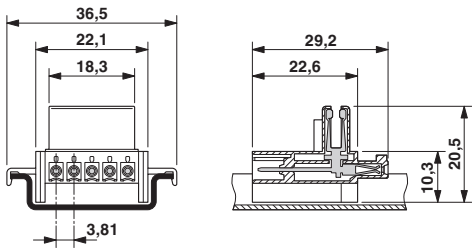
# Electronic housing - ME 22.5 TBUS1.5/5-ST-3.81 KMGY - 2713722

## Approvals

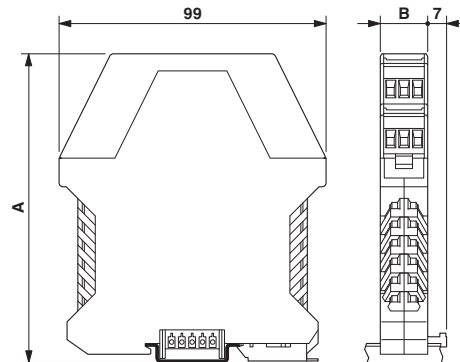


## Drawings

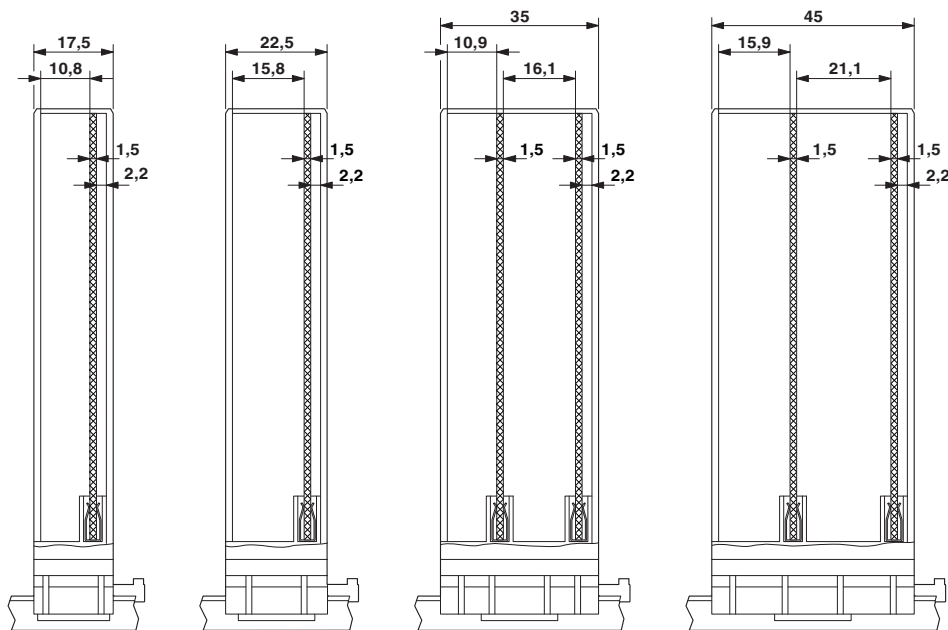
Dimensioned drawing



Dimensioned drawing

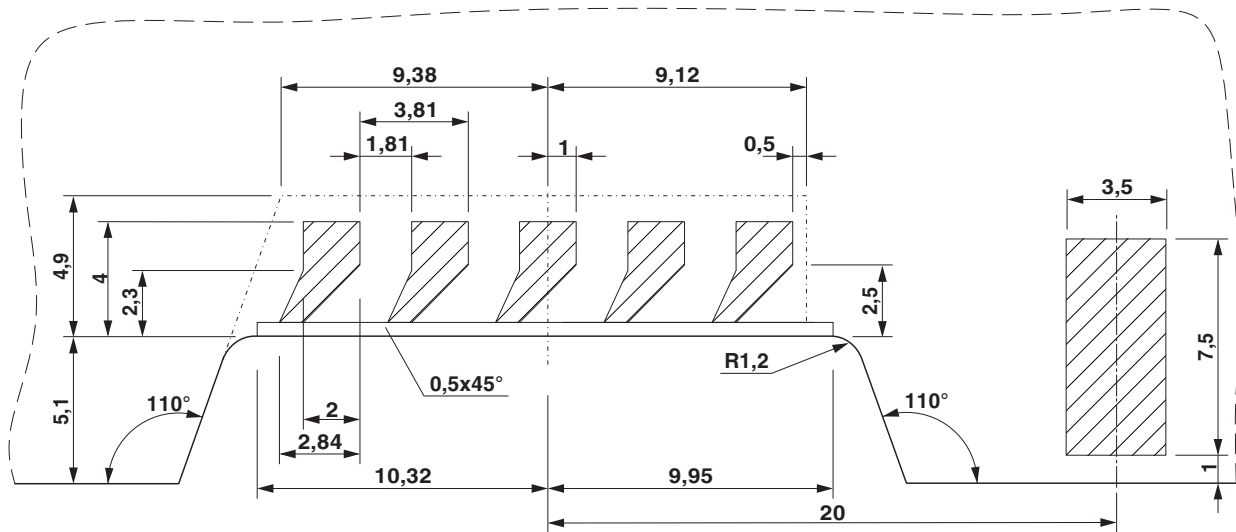


Dimensioned drawing



# Electronic housing - ME 22.5 TBUS1.5/5-ST-3.81 KMGY - 2713722

Drilling diagram





---

© Phoenix Contact 2012 - all rights reserved  
<http://www.phoenixcontact.com>